



Current Transformer

Model IE63N
rev 032916

CERTIFICATIONS:



APPLICATION:

Metering

FREQUENCY:

50/60 Hz.

INSULATION LEVEL:

720 Volts. 10 kV BIL. full wave

APPROXIMATE WEIGHT:

0.30 kg

CONNECTIONS:

Secondary terminals screw clamp up to 10mm² cable. 'Fast on' 6.3mm type. Integral Terminal Cover IP20B

ENCLOSURE CODE:

IP40

INSULATION CLASS:

Class E BS2757 IEC85

COMPLIES WITH / APPROVALS:

IEC60044-1:2003 / BSEN61010-1, EN60044-1

MOUNTING HARDWARE OPTION:

Order p/n: IE63N-FIXING-KIT

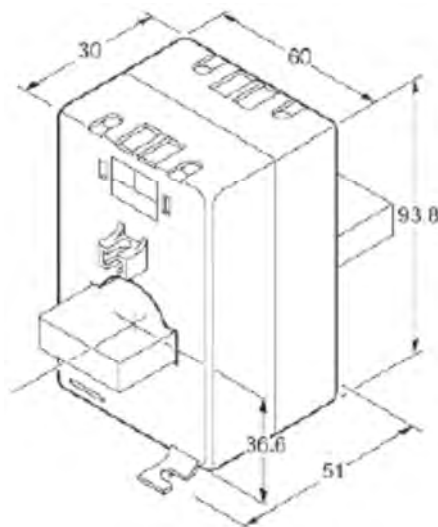
Model	IE63N
Window Size	40 x 10mm 32mm diameter
Width	60mm
Height	94mm
Depth	30mm

MODEL IE63N

CATALOG NUMBER	CURRENT RATIO	VA at Class 3	VA at Class 1	VA at Class 0.5
IE63N-200/5	200:5	2.5	-	-
IE63N-250/5	250:5	3.75	2.5	-
IE63N-300/5	300:5	5	3.75	-
IE63N-400/5	400:5	7.5	5	-
IE63N-500/5	500:5	10	7.5	3.75
IE63N-600/5	600:5	10	7.5	5
IE63N-750/5	750:5	15	10	7.5
IE63N-800/5	800:5	15	10	7.5

Note: Change the end suffix to depict required secondary. For example IE63N-500/1.

DIMENSIONS



Products are manufactured in a plant whose quality management system has been certified to be in compliance with ISO 9001:2015 by NQA